

HB-S-B30

B-15 CERTIFIED FIRE-PROOF LITE DUTY SLIDING DOOR

THE SLEEK INTERNAL SLIDING DOOR

HB-S-B30 is a sleek but sturdy interior sliding door. Can be delivered manual or with electric operation. The door can be installed on wall or recessed into the wall. Clamping frame is standard. Bolted frame is an option.

OPTIONS

- Vision panel 200x500mm (non rated)
- Recessed handles
- Electric door operation
- Electronic locking
- Extra locking features
- Hold open features
- Door stoppers
- Limit switch for surveillance
- Electronic access control.



HB-S-B30 Electric


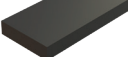


0575

Description	HB-S-B30	HB-S-B30 EL (electric)
Fire Class	B-15	B-15
Operation	Manual	Electric
Door leaf	Painted or stainless steel surface	Painted or stainless steel surface
Frame	2 mm painted mild steel or stainless steel.	2 mm painted mild steel or stainless steel.
Thickness of door leaf	52 mm	52 mm
Max size (Clear opening W x H)	1100 x 2200mm	1100 x 2200mm
Application	Internal	Internal

CONFIGURATION OF HB-SB SLIDING DOORS





BASIC DOOR PARTS

	31003	Assembly Kit HB-SB
	18102	ET-profile gasket 2x8



SUSPENSION PARTS

	15304 15301	Rail AISI304 Rail Carbon steel
	40523	Rail clamp AISI304 Rail clamp Carbon steel
	40515	Trolley/Rollers Material: AISI316L
	42028-2	Control brick for door leaf front Material: POM
	42028-1	Control brick for door leaf back Material: POM
	40613	Rail stopper


Door handles

	10002421RH 10002420LH	Recessed door handle with blind escutcheon. AISI316L For el. doors.
	40208- 40117- 40118	Recessed door handle with blind escutcheon. Material: AISI316L
	40126	Door handle with blind escutcheon. 9mm Material: AISI316L
	40111	Flush mounted handle/ ring

PULL handles

	59640	Recessed pull handle Material: AISI316L
	40206-1	Pull handle Material: AISI316L


LOCK CASE

	10000633/ 10000634	Lock case (Latching) including eye bracket. Material: AISI316L (old part no. 40028)
---	-----------------------	---



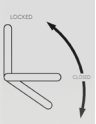

LOCK CYLINDERS

	40065	Key/thumb-t. cylinder 39+39mm. Continental
	40160	Key/key cylinder 39+39mm. Continental
	40059	Key cylinder 39mm. Continental
	40071	Thumb-turn cylinder 39mm. Continental

ELECTRIC OPERATION

	ES PROLINE Electric drive system
--	----------------------------------

OPTIONS AND ACCESSORIES

	Vision panel (Option/Non rated) Glass EI30 Pyrostop 10001700
	Counter frame/lining
	59657 Door stopper Material: AISI316L On wall or floor
	40416 / 40417 Open/Closed sign for door handle
	Electro-magnetic door holder (Hold open) For internal doors

ADVANCED DESIGNS

More advanced designs, and other options may need calculations, design changes, extra logistics, tests and approvals.

BAGGERODAs

Office/factory address: Horten Industripark, Nedre vei 8, Building 30C, 3183 Horten, Norway
 Post address: Post address: Post box 155, NO-3192 - Horten, Norway
 Telephone: +47 33 03 56 80
 E-mail: sales@baggerod.no
 Website: www.baggerod.no
 Enterprise no: NO 983 493 653