

HBI-100EL

ELECTRIC DRIVE SYSTEM FOR SLIDING DOORS

A VERSATILE SYSTEM FOR MOST SLIDING DOOR SOLUTIONS. STRONG AND DURABLE.

Belt driven electric sliding door operation system is probably the best solution for automatic operation of sliding doors. The system can be delivered:

- Standard, pre-built/integrated.
- Flexible, partly pre-assembled, with longer cables.

The control modules for this system have a lot of potential, and can be used for:

- Remote control
- Surveillance
- Maintenance

It can be configured with local or remote displays.

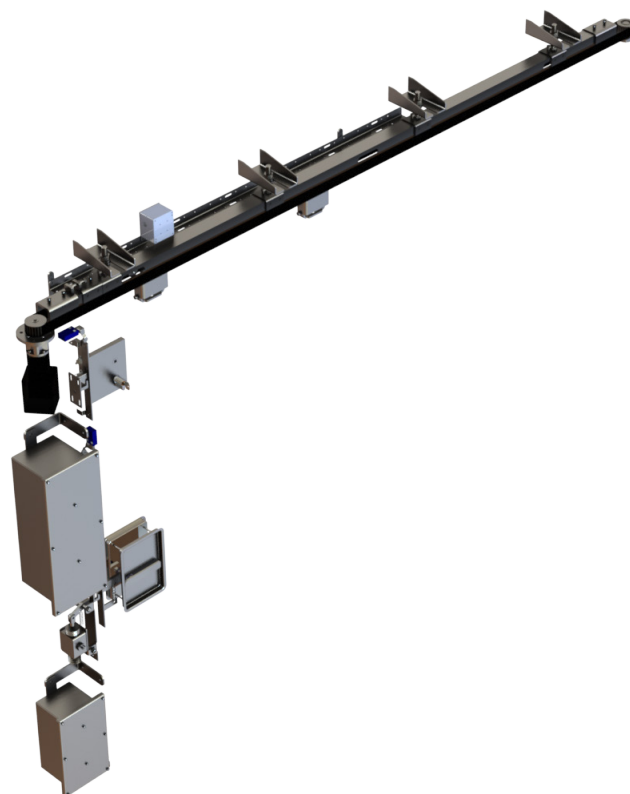
COMMUNICATION

Ethernet network for system communication and interface to other systems.

BASIC CONFIGURATIONS

- Normally open door system
- Normally closed door system
- Car deck door system

Other configurations can be arranged!



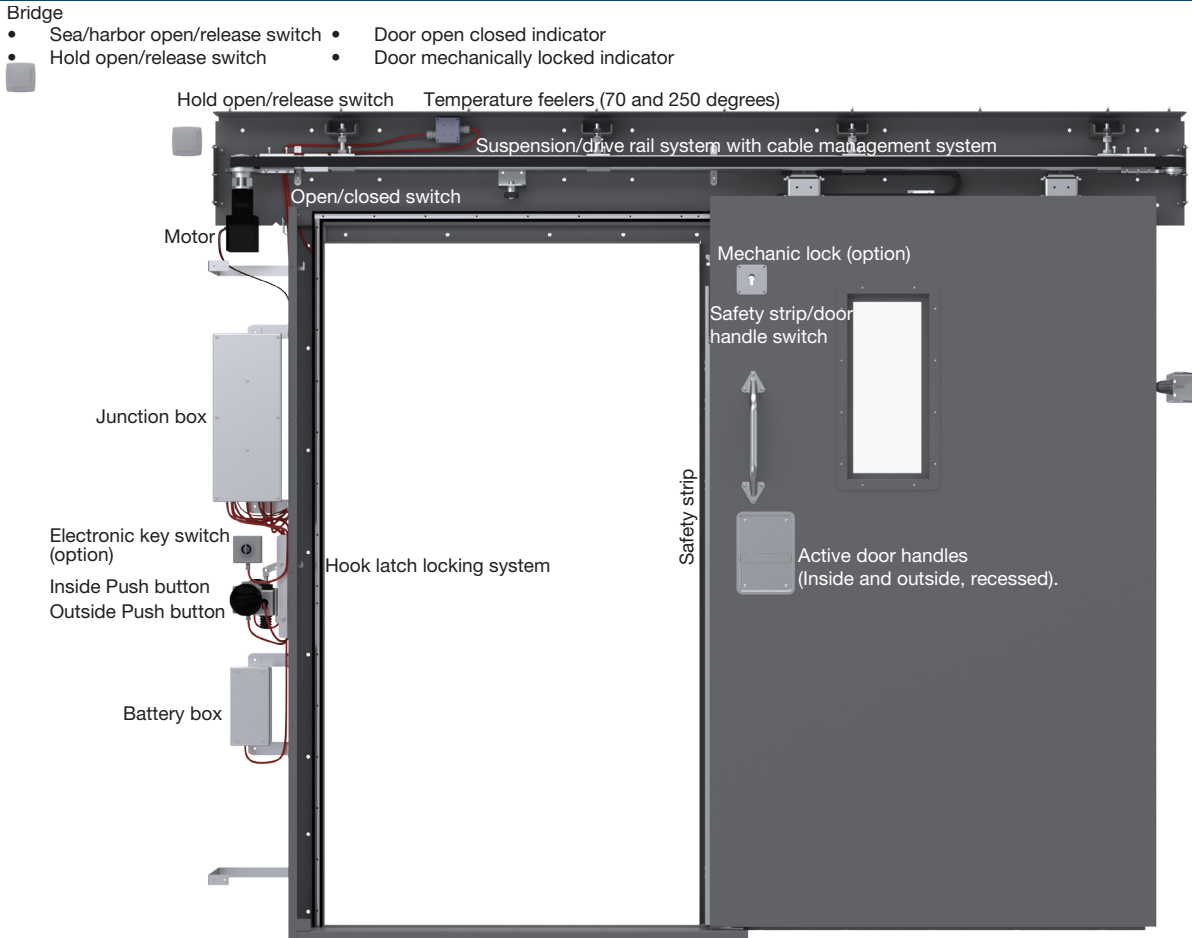
HBI100EL



0575

System configuration:

Description	HBI-100EL
Drive-type:	Belt driven
Motor:	BLDC motor, IP54
Max. weight of door leaf:	500 kg
Max. closing speed:	200mm pr. Second
Power:	100-240 VAC
Junction box for control system:	IP65/66
Battery box:	IP66 (sealed batteries)
Switches:	Limit switches IP66/68
Junction box for temp. sensor:	IP68
Push button, door operation:	IP66
Ethernet network connection:	Option
Temperature Class	T4
Ambient temperature	-20°C - +40°C
Certification, rules and regulations:	The system and the parts are certified according to FTP code, Resolution (MSC. 307 (88)) Annex 1, Part 4. Control system tested according to IACS E10 Fully compliant with SOLAS



PREDEFINED HBI-100EL SYSTEMS:

1 x controller systems:

10003355	Basic system (Normally closed).	Normally closed is the basic door mode. The door opens and closes automatically after 10 seconds. Included: 2 x push buttons
10004229	Open door system (Normally open)	Normally open is programmed to stay open. Only when the door gets a signal to close will it close. Included: 2 x release switch (10002399). <i>No push buttons or keys switches!</i>

2 x controller systems:

10003220	Multi-function system (Sea mode /-mode)	This is the system used for vessels that change mode dependent on situation. Modes are changed manually with a switch on the bridge. Included: 2 x push buttons, 1 x electronic key switch (electronic lock release/override). Mechanic lock as option.
10004228	Mechanically locked door system	Mechanic lock (key on both sides). The lock have electronic connections for "locked" signal to the bridge. Included: 2 x push buttons, 1 Mechanic lock (Key cylinder not included).

MODES

Sea/Harbour mode:	Electric lock, disconnects (locks) the door handles and inside-open button. Sea/harbour mode release: Electronic key switch locally for Sea/harbour mode release/override.
Harbour/in dock mode:	Electric lock. Locks door handles and open button outside (cannot be combined with STUV lock). Harbour/in dock mode release: Electronic key switch for release/override of Harbour/in dock mode.



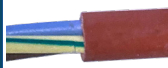

Additional functionality (require 2 control units in the junction box):

Mechanical locking:	Mechanical lock (STUV) of door, requires key on both sides Note: Cannot be added in combination with Harbour/in dock mode. Door locked signal: Signal to bridge that the mechanical lock (STUV) is active (locked).
Hold Open:	"Normally closed" door can be put in the open position. This functionality requires that the door is connected to the on-board fire alarm system. Door release: Switch that overrides hold open (normally 10002399).
Moving deck lock	Locks the door if the elevator or deck is not in the correct position (signal from deck/elevator to door).

CONFIGURATION OF HBI-100 EL PARTS SPECIFICATIONS



	Art. no.	Equipment description
	10002857	Push buttons
	10002914	Key Switch
	10002399	Door release button
	10002892	Motor BLDC 24V (6 meter cable)
	10002825	Gear for motor
	10002823	Belt wheel for motor
	10002848	Belt wheel rear
	10002987	Drive belt (meters)
	10002448	Main junction box, cabinet
	10002637	Motor control unit
	10002636	Base I/O unit controller
	10002628	Power supply. 1AC/24DC/10
	10002625	UPS 24DC/24DC

	Art. no.	Equipment description
	10006320	Battery box, cabinet
	10001940	Battery 12V 2,3AH (system use 2 pieces (24V))
	10002649	Temperature Sensors 70 degrees temp. sensor (sensor only)
	10002650	250 degrees temp. sensor (sensor only)
	10045132-1	Limit switch on door frame (door leaf control)
	10045132-2	Limit switch for safety strip
	10045132-3	Limit switch for safety strip, doors with STUV lock case
	10002913	Solenoid hook latch release (Solenoid only)
	10003448	Complete Solenoid hook latch release Right sliding doors
	10003890	Complete Solenoid hook latch release Left sliding doors
	10002850	Complete Solenoid hook latch release Double sliding doors
	10002493	Hook latch
	40072-1 10002791	STUV Latching lock case, with electronic switch and cable Eye bracket for latching lock case
	10002418	Safety strip hinge
	10008414	Energy chain, 1meter
	10002652	3 x 0,75 Silicon cable
	10002653	5 x 0,75 Silicon cable
	10004211	2 x 2,50 Silicon cable
	10004021	LAN cable with gasket

For door parts, please see datasheet for door.

With reservation for errors and with rights to make technical changes.